



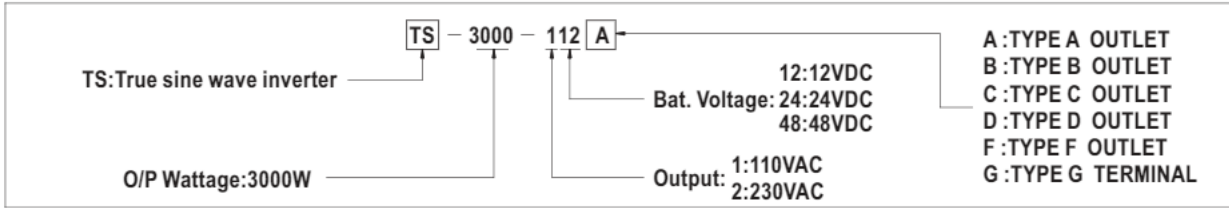
■ Features :

- True sine wave output (THD<3%)
- High surge power up to 6000W
- High efficiency up to 92%
- Power ON-OFF switch
- Standby saving mode can be selectable
- Front panel indicator for operation status
- Thermostatically controlled cooling fan
- Protections: Bat. low alarm / Bat. low shutdown / Over voltage / Over temp. / Output short / Input polarity reverse / Overload / AC circuit breaker
- Application : Home appliance, power tools, office and portable equipment, vehicle and yacht ...etc.
- Optional monitoring software and connection cable (MW order No.: DS-TN-1500)
- 3 years warranty



SPECIFICATION

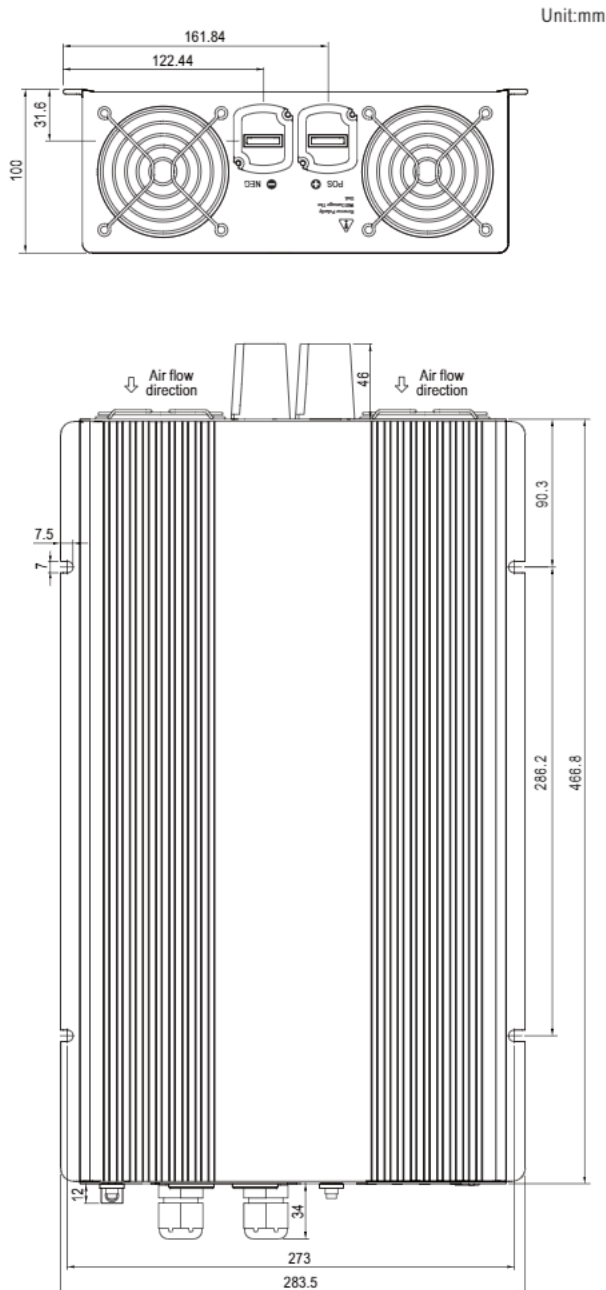
MODEL NO.	TS-3000-112□	TS-3000-124□	TS-3000-148□	TS-3000-212□	TS-3000-224□	TS-3000-248□		
	□ = A, F, G			□ = B, C, D, G				
OUTPUT	RATED POWER (Typ.) 3000W							
	MAXIMUM OUTPUT POWER (Typ.) 3450W for 180 sec. / 4500W for 10 sec. / surge power 6000W for 30 cycles							
	AC VOLTAGE			AC VOLTAGE				
	Factory setting set at 110VAC			Factory setting set at 230VAC				
	100 / 110 / 115 / 120VAC selectable by setting button S.W			200 / 220 / 230 / 240VAC selectable by setting button S.W				
	FREQUENCY			FREQUENCY				
	60±0.1Hz 50/60Hz selectable by setting button S.W			50±0.1Hz 50/60Hz selectable by setting button S.W				
INPUT	WAVEFORM <small>Note.7</small> True sine wave (THD<3%)							
	AC REGULATION (Typ.) ±3%							
	SAVING MODE (Typ.) Default disabled. Load ≤5W will be changed to standby mode							
	FRONT PANEL INDICATOR Battery voltage level, output load level, saving mode, fault and operation status							
	BAT. VOLTAGE		12V	24V	48V	12V	24V	48V
	VOLTAGE RANGE (Typ.) <small>Note.3,6</small>		10.5 ~ 15VDC	21 ~ 30VDC	42 ~ 60VDC	10.5 ~ 15VDC	21 ~ 30VDC	42 ~ 60VDC
	DC CURRENT (Typ.) <small>Note.4</small>		300A	150A	75A	300A	150A	75A
NO LOAD DISSIPATION (Typ.) ≤10W @ standby saving mode								
OFF MODE CURRENT DRAW (Typ.) ≤1mA								
EFFICIENCY (Typ.) <small>Note.1</small>		88%	90%	91%	89%	91%	92%	
BATTERY TYPES Open & sealed lead acid battery								
BATTERY INPUT PROTECTION	FUSE		40A*12	40A*6	20A*6	40A*12	40A*6	20A*6
	BAT. LOW ALARM <small>Note.6</small>		11.3V	22.5V	45V	11.3V	22.5V	45V
	BAT. LOW SHUTDOWN <small>Note.6</small>		10.5V	21V	42V	10.5V	21V	42V
	REVERSE POLARITY By internal fuse open							
OUTPUT PROTECTION	OVER TEMPERATURE		90°C ± 5°C	85°C ± 5°C	85°C ± 5°C	80°C ± 5°C	75°C ± 5°C	75°C ± 5°C
	Protection type : Shut down o/p voltage, re-power on to recover							
	OUTPUT SHORT		Protection type : Shut down o/p voltage, re-power on to recover					
	OVER LOAD (Typ.)		105 ~ 115% load for 180 sec., 115% ~ 150% load for 10 sec.					
	Protection type : Shut down o/p voltage, re-power on to recover							
CIRCUIT BREAKER AC output receptacle:15A								
GFCI PROTECTION Optional (Only type F) None								
ENVIRONMENT	WORKING TEMP. <small>Note.2</small>		0 ~ +40°C @ 100% load ; 60°C @ 50% load					
	WORKING HUMIDITY 20% ~ 90% RH non-condensing							
	STORAGE TEMP., HUMIDITY -30 ~ +70°C / -22 ~ +158°F, 10 ~ 95% RH non-condensing							
	VIBRATION 10 ~ 500Hz, 3G 10min./1cycle, 60min. each along X, Y, Z axes							
SAFETY & EMC	SAFETY STANDARDS UL458 (only for Type G), EAC TP TC 004 EAC TP TC 004 IEC62368-1 CB, EAC TP TC 004 approved							
	WITHSTAND VOLTAGE Bat I/P - AC O/P:3.0KVAC AC O/P - FG:1.5KVAC							
	ISOLATION RESISTANCE Bat I/P - AC O/P, Bat I/P - FG, AC O/P - FG: 100M ohms / 500VDC / 25°C / 70% RH							
	EMC EMISSION				EMC EMISSION			
	Compliance to FCC class A, EAC TP TC 020				Compliance to EN55032 class A, 72/ 245/ CEE, 95/ 54/ CE, E-Mark, EAC TP TC 020			
EMC IMMUNITY				EMC IMMUNITY				
Compliance to EAC TP TC 020				Compliance to EN61000-4-2,3,4,5,6,8,11, EAC TP TC 020				
OTHERS	CONTROL WIRING RJ11 -RS232 (Option)							
	DIMENSION 466.8*283.5*100mm (L*W*H)							
	PACKING 12.9Kg; 1pcs/14Kg/1.49CUFT							
NOTE	<p>1.Efficiency is tested by 2100W, linear load at 13V, 26V, 52V input voltage.</p> <p>2.Output derating capacity referenced by curve 1.</p> <p>3.Input derating capacity referenced by curve 2.</p> <p>4.DC current is tested by 3000W, linear load at 12V, 24V, 48V input voltage.</p> <p>5.All parameters not specified above are measured at rated load, 25°C of ambient temperature and set to factory setting.</p> <p>6.The tolerance of each voltage value by models is:112/212→±0.5V;124/224→±1V;148/248→±2V.</p> <p>7.THd is tested by 3000W, linear load at 13,26,52V input voltage.</p> <p>8.Please do not turn on the inverter before start the engine if inverter connect to vehicle's battery directly.</p> <p>9.The ambient temperature derating of 3.5°C/1000m with fanless models and of 5°C/1000m with fan models for operating altitude higher than 2000m(6500ft).</p>							



AC Output Socket (optional)

MODEL NO.	TS-3000-112	TS-3000-124	TS-3000-148	TS-3000-212	TS-3000-224	TS-3000-248
Socket type			 (Terminal inside case only, no AC socket)			 (Terminal inside case only, no AC socket)
	TYPE-A	TYPE-F	TYPE-G	TYPE-B	TYPE-C	TYPE-D
	Standard	Optional	Optional	Standard	Optional	Optional
Country	USA	GFCI	----	EUROPE	AUSTRALIA	U.K
Certificate			 (Except for 48V input)			
						None

Mechanical Specification



Derating Curve

