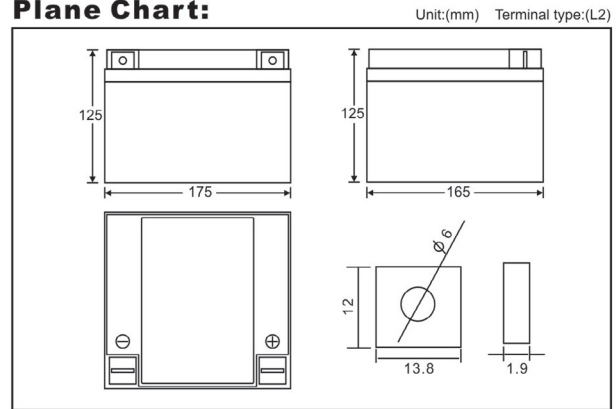




Akumulator żelowy VIPOW 12V 26Ah



Plane Chart:



ISO9001
ISO140001
OHSAS18001

Characteristic:

1. 100% testing before out of factory, stable and reliable quality is guaranteed.
2. Professional alloy formula and advanced manufacturing techniques.
3. Completely sealed and maintenance free, low self-discharge.
4. Good charge-discharge acceptability.
5. Cyclic application: deep cycle charge-discharge for more than 260 times.
6. Floating application: for 3-5 years.

Application:

- Anti-theft system
- Radio transceiver
- Power system
- Railroad engine and railway communication
- Emergency lighting and lamps
- Electric tools
- Electronic instruments and other backup power
- Medical facilities
- UPS for banking system
- Computer backup power
- Marine system
- UPS for fire fighting system
- Toys

Parts:

Executed Standard:GB/T 19639.1-2005

Cover	Container Bottom	Terminal	Positive Plate	Negative Plate	Separator	Electrolyte	Safety Valve	Seal Glue
ABS	ABS	Copper	PbO ₂	Pb	AGM	dilute sulphuric acid	Rubber	Epoxy Resin

Packing

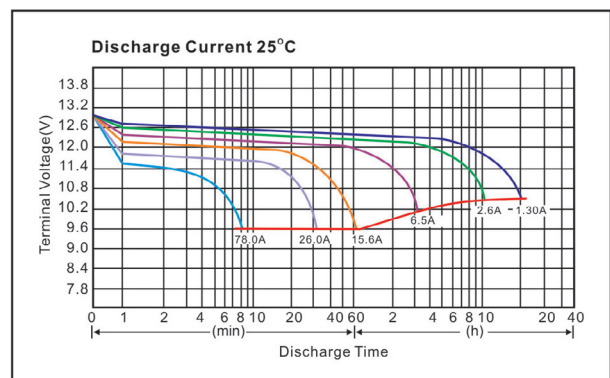
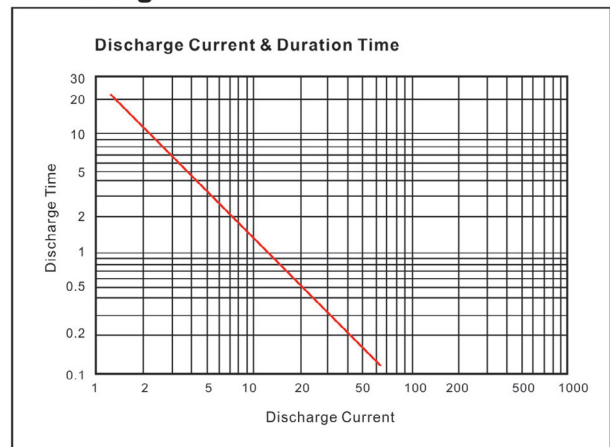
Date	Battery Packing	Inner Packing	Outer Packing
① Printing	① Polybag	Paper Box	Carton Packing
② Branded	② Shrink		
Carton Sealing		Accessories	
① Packing Strap		Bolts&nuts	Mini Charger
② Shrink		With	Optional

Parameter Chart:

Volts		12V	
Capacity(25°C)	20 hours rate (1.3A)	26.0Ah	
Discharge Current Testing (25°C)	20 I ₂₀ rate (26A, 27min)	34min	
	60 I ₂₀ rate(78A, 7min)	8min	
Internal Resistance	Full Charged Battery 25°C	10mΩ	
Capacity Affected By Temperature (20 hours rate)	40°C	102%	
	25°C	100%	
	0°C	85%	
	-15°C	62%	
Residual Capacity (25°C)	Capacity After 3 Months Storage	91%	
	Capacity After 6 Months Storage	82%	
	Capacity After 12 Months Storage	64%	
Cycle (Above 300 Time)	Discharge 2hrs at 6.5A Current Charge 6hrs at 2.6A Current (25°C)		
Charge (Constant Voltage)	Cycle (25°C)	Initial Charging Current Less Than 7.8A Voltage 14.5~14.9V	
	Float (25°C)	Charge Voltage 13.6~13.8V	
Weight (Approx)		8.03Kg	

★The above are average and date obtained from the first 3 charge/discharge cycles. These are not minimum values.

Discharge Curve





Constant Current Discharge (Amperes) at 25°C (77°F)												
F.V/Time	5min	10min	15min	30min	1Hr	2Hr	3Hr	4Hr	5Hr	6Hr	10Hr	20Hr
1.80V/cell	27.60	20.70	15.00	10.10	5.90	3.30	2.500	2.000	1.760	1.440	0.940	0.490
1.75V/cell	28.60	21.10	15.30	10.30	5.98	3.40	2.600	2.100	1.800	1.460	0.960	0.500
1.70V/cell	31.20	22.40	16.20	10.70	6.10	3.50	2.670	2.130	1.830	1.490	0.978	0.508
1.65V/cell	34.30	24.30	17.60	11.30	6.10	3.52	2.700	2.156	1.850	1.500	0.990	0.510
1.60V/cell	37.20	25.50	18.50	11.80	6.20	3.60	2.720	2.170	1.870	1.530	1.000	0.520

Constant Power Discharge (Watts/cell) at 25°C (77°F)												
F.V/Time	5min	10min	15min	30min	1Hr	2Hr	3Hr	4Hr	5Hr	6Hr	10Hr	20Hr
1.80V/cell	361.56	266.16	213.30	126.84	72.79	39.43	29.142	24.086	20.100	16.886	11.226	5.880
1.75V/cell	418.44	288.30	223.14	131.70	74.96	40.20	29.730	24.514	20.400	17.143	11.400	6.000
1.70V/cell	444.60	298.74	229.98	134.70	76.31	40.89	30.000	24.943	20.514	17.486	11.460	6.030
1.65V/cell	464.58	305.88	235.26	136.56	77.23	41.31	30.216	25.200	20.586	17.657	11.484	6.042
1.60V/cell	480.00	312.00	240.00	138.00	78.00	41.74	30.384	25.457	20.640	17.829	11.848	6.042

Loading Info

Master Carton			Pallet			20 GP	
Pcs/Ctn	Size(mm)	N.W.(kg)	Size(mm)	Total CTNS	N.W.(T)	Pallet Qty	Battery Qty(pcs)
2 PCS	356*202*180	16.06	1.12*0.82	99	1.59	14	2772